

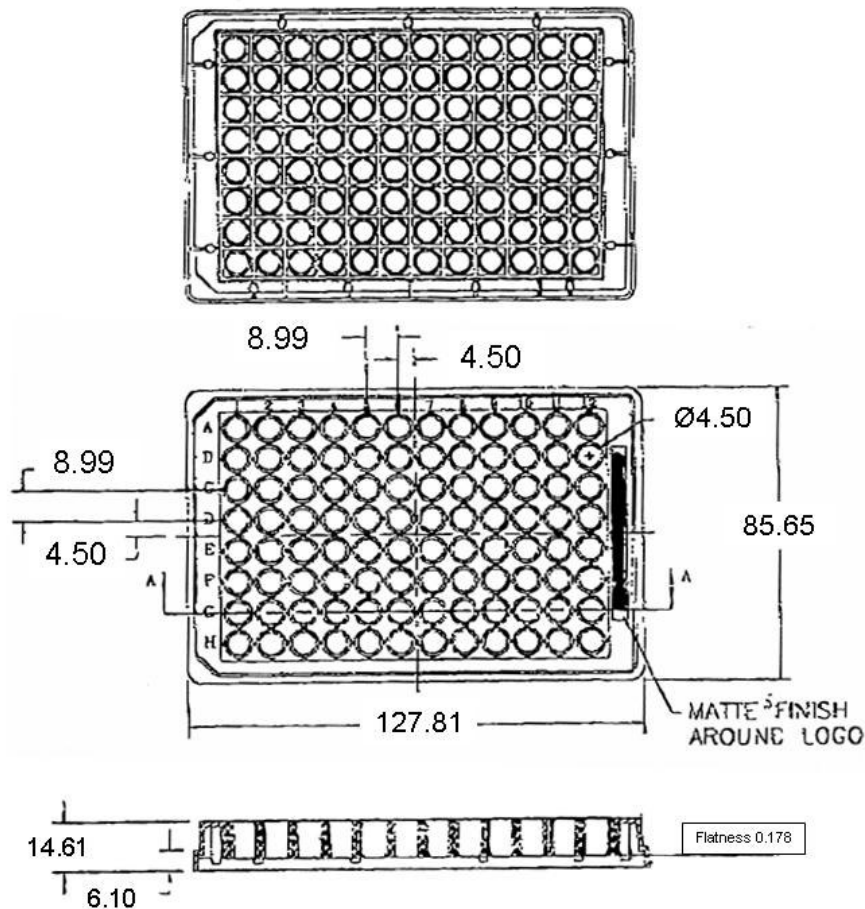
## DIMENSION OF VIEWPLATE-96 F MICROPLATES (PN 6005225, 6005182)

### Material

Polystyrene plate frame with black pigment. Transparent polystyrene bottom. Material is Tissue Culture treated to facilitate cell adherence and sterilized by gamma irradiation.

### Dimensions

Length of plate	127.81	mm
Width of plate	85.65	mm
Height of plate without lid	14.61	mm
Tolerances of dimensions	± 0.13	mm
Plate bottom thickness	0.80	mm
A1 offset to top	11.30	mm
A1 offset to side	14.30	mm
Well depth	11.40	mm
Working volume	50 – 200	µL
Max. well volume	350	µL



Product distributed by:  
PerkinElmer LAS B.V.  
The Netherlands